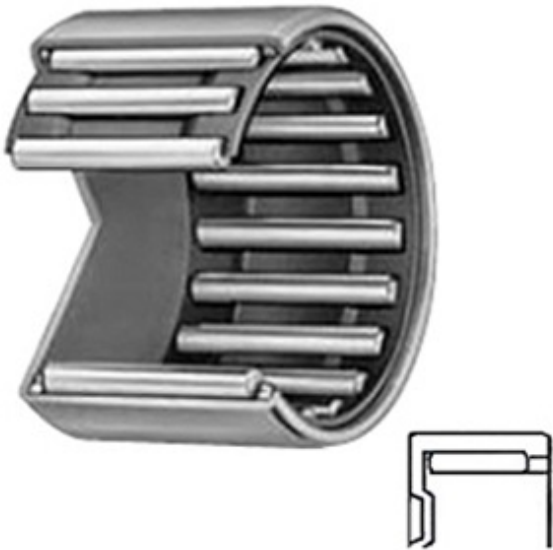




bearing Industria LTD.



BHAM1818 Bearing 2D drawings and 3D CAD models

1.125 Inch | 28.575 Millimeter x 1.5 Inch | 38.1
 Millimeter x 1.125 Inch | 28.575 Millimeter IKO
 BHAM1818 Cojinetes de rodillos sin empuje

Bearing No. BHAM1818

Category	Needle Non Thrust Roller Bearings
Inventory	0.0
Manufacturer Name	IKO
Minimum Buy Quantity	N/A
Weight	0.071
EAN	4549557003769
Product Group	B04144
Rolling Element	Needle Roller Bearing
Component	Roller Assembly with Outer Ring - No Inner Ring
Enclosure	Open
Self Aligning	No
Retainer	Yes
Number of Rows of Rollers	Single Row
Separable	No
Closed End	Yes
Inch - Metric	Inch
Relubricatable	No
Thrust Bearing	No
Long Description	1-1/8" Bore; 1-1/2" Outside Diameter; 1-1/8" Width; Needle Roller Bearing; Roller Assembly with Outer Ring - No Inner Ring; Open Enclosure; No Self Aligning; Yes Retainer; Single Row of



bearing Industria LTD.

Other Features	1 Rib Outer Ring Drawn Cup Bearing Heavy Duty
Category	Needle Non Thrust Roller Bearing
UNSPSC	31171512
Harmonized Tariff Code	8482.40.00.00
Noun	Bearing
Keyword String	Needle
Manufacturer URL	http://www.ikont.com
Manufacturer Item Number	BHAM1818
Weight / LBS	0.158
B	1.125 Inch 28.575 Millimeter
d	1.125 Inch 28.575 Millimeter
D	1.5 Inch 38.1 Millimeter