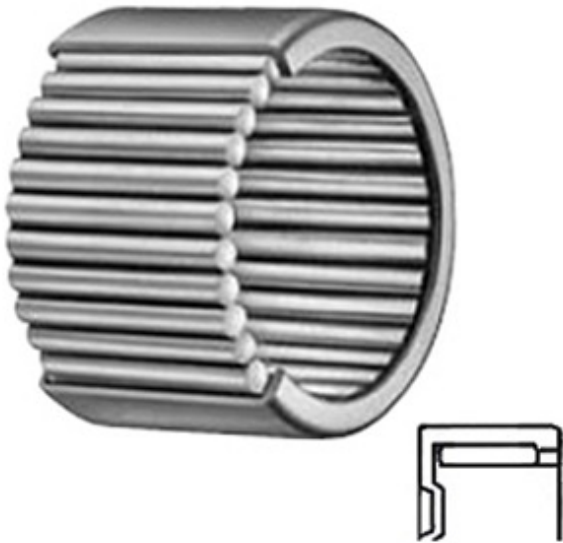




bearing Industria LTD.



0.75 Inch | 19.05 Millimeter x 1 Inch | 25.4
 Millimeter x 0.75 Inch | 19.05 Millimeter KOYO
 M-12121-OH Cojinetes de rodillos sin empuje

Bearing No. M-12121-OH

M-12121-OH Bearing 2D drawings and 3D CAD models

Category	Needle Non Thrust Roller Bearings
Inventory	0.0
Manufacturer Name	KOYO
Minimum Buy Quantity	N/A
Weight	0.031
Product Group	B04144
Rolling Element	Needle Roller Bearing
Component	Roller Assembly with Outer Ring - No Inner Ring
Enclosure	Open
Self Aligning	No
Retainer	No
Number of Rows of Rollers	Single Row
Separable	No
Closed End	Yes
Inch - Metric	Inch
Relubricatable	Yes
Thrust Bearing	No
Long Description	3/4" Bore; 1" Outside Diameter; 3/4" Width; Needle Roller Bearing; Roller Assembly with Outer Ring - No Inner Ring; Open; Not Self Aligning; No Retainer; Single Row of Rollers; Not Sepa



bearing Industria LTD.

Other Features	1 Rib Outer Ring Drawn Cup Bearing Full Complement Oil Hole
Category	Needle Non Thrust Roller Bearing
UNSPSC	31171512
Harmonized Tariff Code	8482.99.65.30
Noun	Roller Assembly with Outer Ring
Keyword String	Bearing Needle
Manufacturer URL	http://www.koyousa.com
Manufacturer Item Number	M-12121-OH
Weight / LBS	0.068
B	0.75 Inch 19.05 Millimeter
D	1 Inch 25.4 Millimeter
d	0.75 Inch 19.05 Millimeter